

# LED OBSTAFLASH 180°

Obstruction lighting systems including 2, 3 or 4 LED OBSTAFLASH 180° dual color or red only medium intensity type especially designed for obstacle such as stacks, pylons, high rise building etc...

The OBSTAFLASH LED complies with ICAO medium intensity type A+B/C and comply with FAA L864/L865.

## Flashhead

- 3 led projectors
- Aluminium and glass envelope
- Connectors for dual color and glands for red only
- Precise optic for optimal power consumption
- All electronic deported in stainless cabinet



Patent : EP 1966535B1 & US 7816843



## Power cabinet

- Stainless enclosure
- Surge protection
- Test button for day and night, 1 luminous indicator per led projector
- Modular design,
- Alarm contact,
- Master/slave configuration for multiple cabinet
- Connection of low intensity for intermediale level working at night only
- Available with 2, 3 or 4 dual color flashheads or 2 to 12 red only flashheads

## MAIN CHARACTERISTICS

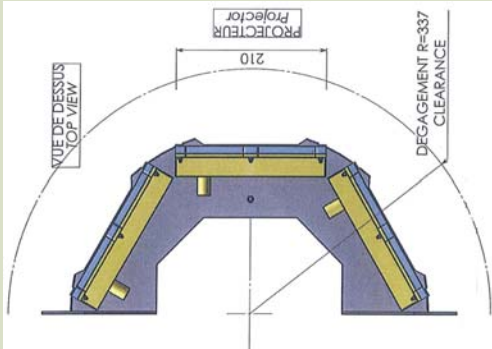
Characteristics	Effective intensity site at 0°		Color		Beam spread		Flashes/minute
	Day	Night	Day	Night	Vertical	Horizontal	
Dual color	20 000 Cd	2000 Cd	White	Red	> 3°	360° *	40

\* 360° with almost two beacons visible on each side of the obstacle

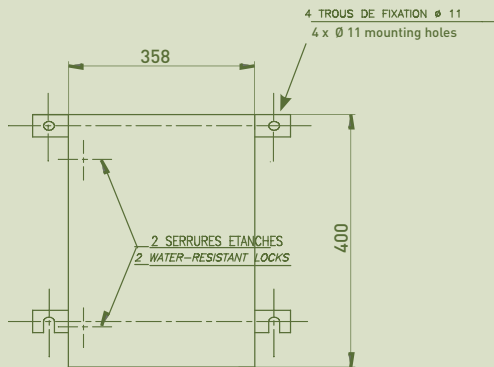
## ADDITIONAL FEATURES

### WEIGHT AND DIMENSIONS (in mm)

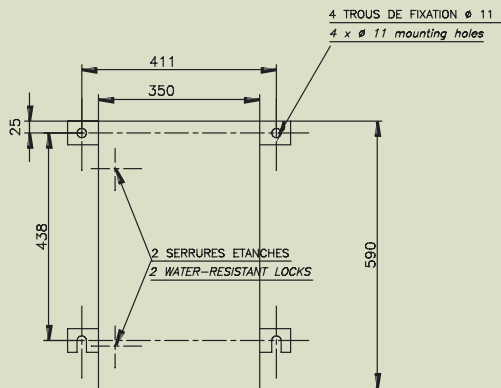
#### Flashhead



Power cabinet for 1 or 2 flashheads **13738M**  
and 2 to 12 flashheads **13745**



Power cabinet for 3 or 4 flashheads  
**13738M**



### SETS COMPOSITION

Dual color obstruction lighting system type A+B/C (or white only)	Code
2 to 4 flashheads with stainless junction box	13738M
Interconnection cable between flashead and power cabinet	13762
Power cabinet 230 VAC (X: 2 to 4)*	13733NX
1 Photocell 48V	00755

\* X : 2 to 4 dual color flashheads can be connected to on single power cabinet, to be specified at time order.

Red only obstruction lighting system type B	Code
1 to 12 flashheads with stainless junction box	13745
Interconnection cable between flashhead and power cabinet	13160
Power cabinet 230 VAC (X: 2 to 12)*	13732NX
1 Photocell 48 V	00755

\* X : 2 to 12 red flashheads can be connected to on single power cabinet, to be specified at time order.

### ADDITIONAL FEATURES

- IP degree:
  - IP66 per projectors
  - IP65 for the cabinet in vertical position
- Weight 1kg per projector, 8kgs for complete flashhead
- Power supply 110 VAC to 240 VAC 50/60 Hz +/-10%
- Max power consumption for 2 flashheads during daytime @40 flashes per minute < 75 W
- Operating temperature : -30° to +55° C
- Also available in 48VDC with battery cabinet

### OPTIONS

- GPS synchronization
- GPRS remote diagnostic
- NAVILITE 48V low intensity for intermediate level(s).